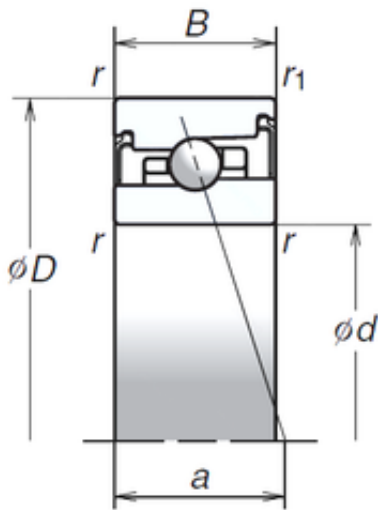




## Air Suspension Bearing Co., Ltd



100 mm x 150 mm x 30 mm NSK  
100BER20HV1V angular contact ball bearings

Bearing No. 100BER20HV1V

|                               |               |
|-------------------------------|---------------|
| Size                          | 100x150x30 mm |
| Bore Diameter                 | 100 mm        |
| Outer Diameter                | 150 mm        |
| Width                         | 30 mm         |
| d                             | 100 mm        |
| D                             | 150 mm        |
| B                             | 30 mm         |
| C                             | 30 mm         |
| Angle ( ° )                   | 25 °          |
| a                             | 44,1 mm       |
| r min.                        | 1,5 mm        |
| r1 min.                       | 1 mm          |
| Weight                        | 1,558 Kg      |
| Basic dynamic load rating (C) | 34,5 kN       |
| Basic static load rating (C0) | 34,5 kN       |
| (Grease) Lubrication Speed    | 12 800 r/min  |

100BER20HV1V Bearing 2D drawings and 3D CAD models