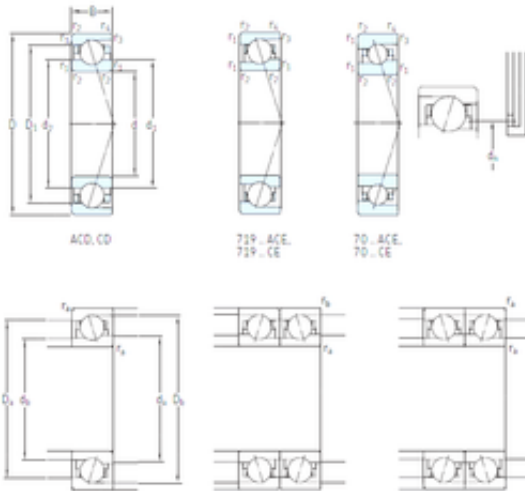




Air Suspension Bearing Co., Ltd



70 mm x 90 mm x 10 mm SKF 71814 ACD/P4 angular contact ball bearings

Bearing No. 71814 ACD/P4

71814 ACD/P4 Bearing 2D drawings and 3D CAD models

Size	70x90x10 mm
Bore Diameter	70 mm
Outer Diameter	90 mm
Width	10 mm
d	70 mm
D	90 mm
B	10 mm
C	10 mm
d1	76,7 mm
d2	76,7 mm
r1 min.	0,6 mm
r2 min.	0,6 mm
r3 min.	0,3 mm
r4 min.	0,3 mm
D1	83,5 mm
D2	– mm
da min.	73,2 mm
Da max.	86,8 mm
db min	73,2 mm
ra max.	0,6 mm
rb max.	0,3 mm
dh	77,4 mm
Db max	88 mm
Weight	0,13 Kg
Basic dynamic load rating (C)	13 kN



Air Suspension Bearing Co., Ltd

Basic static load rating (C0)	15 kN
(Grease) Lubrication Speed	13 000 r/min
(Oil) Lubrication Speed	19 000 r/min
Fatigue load limit (Pu)	0,64
d ₁	76.7 mm
d ₂	76.7 mm
D ₁	83.5 mm
r _{1,2} min.	0.6 mm
r _{3,4} min.	0.3 mm
a	23.7 mm
d _a min.	73.2 mm
d _b min.	73.2 mm
D _a max.	86.8 mm
D _b max.	88 mm
r _a max.	0.6 mm
r _b max.	0.3 mm
d _n	77.4 mm
Basic dynamic load rating C	13 kN
Basic static load rating C ₀	15 kN
Fatigue load limit P _u	0.64 kN
Attainable speed for grease lubrication	13000 r/min
Attainable speed for oil-air lubrication	19000 r/min
Ball diameter D _w	5.556 mm
Number of balls z	31
Reference grease quantity G _{ref}	1.4 cm ³
Preload class A G _A	117 N
Static axial stiffness, preload class A	152 N/ μ m
Preload class B G _B	350 N
Static axial stiffness, preload class B	241 N/ μ m



Air Suspension Bearing Co., Ltd

Preload class C G_C	700 N
Static axial stiffness, preload class C	332 N/ μ m
Calculation factor f	1.32
Calculation factor f_1	0.97
Calculation factor f_{2A}	1
Calculation factor f_{2B}	1.08
Calculation factor f_{2C}	1.15
Calculation factor f_{HC}	1
Calculation factor e	0.68
Calculation factor (single, tandem) Y_2	0.87
Calculation factor (single, tandem) Y_0	0.38
Calculation factor (single, tandem) X_2	0.41
Calculation factor (back-to-back, face-to-face) Y_1	0.92
Calculation factor (back-to-back, face-to-face) Y_2	1.41
Calculation factor (back-to-back, face-to-face) Y_0	0.76
Calculation factor (back-to-back, face-to-face) X_2	0.67
Mass bearing	0.13 kg