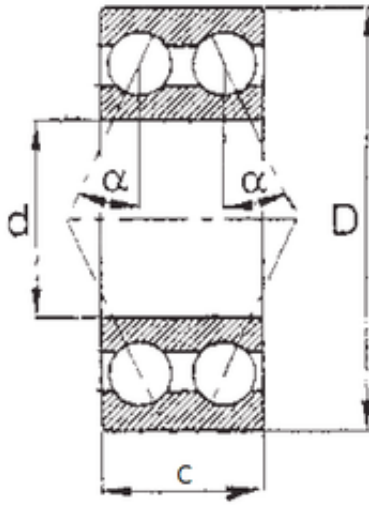




Air Suspension Bearing Co., Ltd



65 mm x 140 mm x 58,7 mm FBJ 5313 angular contact ball bearings

Bearing No. 5313

Size	65x140x58.7 mm
Bore Diameter	65 mm
Outer Diameter	140 mm
Width	58,7 mm
d	65 mm
D	140 mm
B	58,7 mm
C	58,7 mm
Angle ()	25 °
Weight	3,96 Kg
Basic dynamic load rating (C)	138 kN
Basic static load rating (C0)	109 kN
(Grease) Lubrication Speed	2800 r/min

5313 Bearing 2D drawings and 3D CAD models