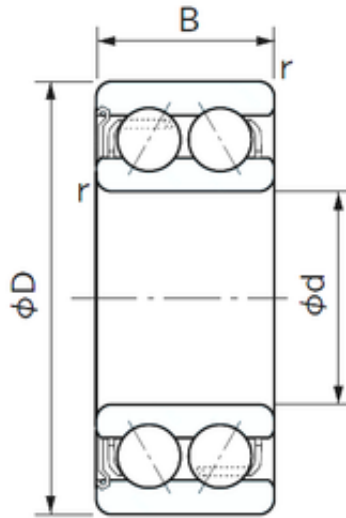




Air Suspension Bearing Co., Ltd



75 mm x 130 mm x 41.3 mm NACHI 5215Z
angular contact ball bearings

Bearing No. 5215Z

Size	75x130x41.3 mm
Bore Diameter	75 mm
Outer Diameter	130 mm
Width	41.3 mm
d	75 mm
D	130 mm
B	41.3 mm
C	41.3 mm
Angle ()	30 °
r min.	1.5 mm
Weight	1.91 Kg
Basic dynamic load rating (C)	94 kN
Basic static load rating (C0)	87 kN

5215Z Bearing 2D drawings and 3D CAD models