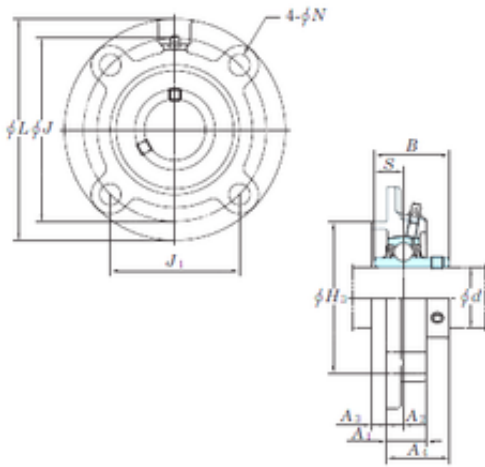




# Air Suspension Bearing Co., Ltd



UCFC206 Bearing 2D drawings and 3D CAD models

## KOYO UCFC206 bearing units

Bearing No. UCFC206

Bore Diameter	30 mm
d	30 mm
H3	80 mm
A4	32,2 mm
A1	23 mm
B	38,1 mm
J	100 mm
L	125 mm
N	12 mm
S	15,9 mm
Bolt (G)	M10
A2	10 mm
A3	8 mm
J1	70,7 mm
Weight	1,3 Kg
Basic dynamic load rating (C)	19,5 kN
Basic static load rating (C0)	11,3 kN
Bearing No.	UCFC206
Bolt size	M10
Cr	19.5
C0r	11.3
f0	13.9
(Refer.)Unit mass(kg)	1.3
Nipple size	1/4-28UNF