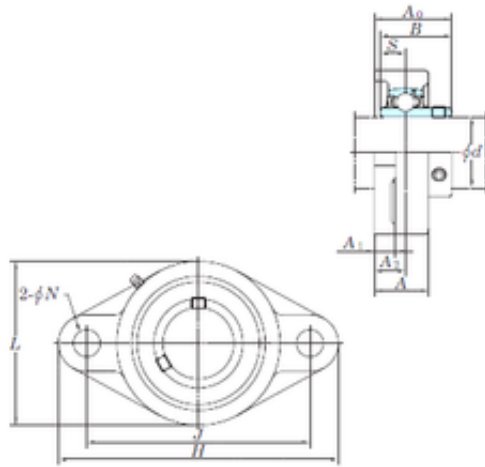




Air Suspension Bearing Co., Ltd



KOYO UCFL207-23 bearing units

Bearing No. UCFL207-23

Bore Diameter	36,5125 mm
d	36,5125 mm
A0	44,4 mm
A	34 mm
A1	14 mm
B	42,9 mm
H	161 mm
J	130 mm
L	90 mm
N	16 mm
S	17,5 mm
A2	19 mm
Weight	1,2 Kg
Basic static load rating (C0)	25,7 kN

UCFL207-23 Bearing 2D drawings and 3D CAD models