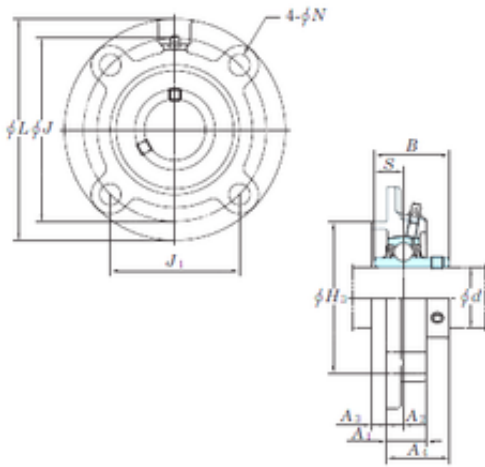




# Air Suspension Bearing Co., Ltd



UCFC210 Bearing 2D drawings and 3D CAD models

## KOYO UCFC210 bearing units

Bearing No. UCFC210

Bore Diameter	50 mm
d	50 mm
H3	110 mm
A4	42,6 mm
A1	28 mm
B	51,6 mm
J	138 mm
L	165 mm
N	16 mm
S	19 mm
Bolt (G)	M14
A2	10 mm
A3	12 mm
J1	97,6 mm
Weight	2,9 Kg
Basic dynamic load rating (C)	35,1 kN
Basic static load rating (C0)	23,3 kN
Bearing No.	UCFC210
Bolt size	M14
Cr	35.1
C0r	23.3
f0	14.4
(Refer.)Unit mass(kg)	2.9
Nipple size	1/4-28UNF