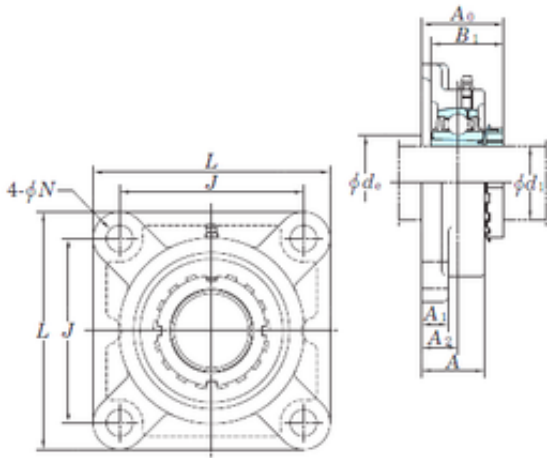




Air Suspension Bearing Co., Ltd

KOYO UKF316 bearing units

Bearing No. UKF316



UKF316 Bearing 2D drawings and 3D CAD models

Bore Diameter	70 mm
d	70 mm
A0	82,5 mm
A	68 mm
A1	27 mm
B1	78 mm
J	196 mm
L	250 mm
N	31 mm
Thread (G)	M27
A2	38 mm
Weight	12,9 Kg
Basic dynamic load rating (C)	123 kN
Basic static load rating (C0)	86,7 kN