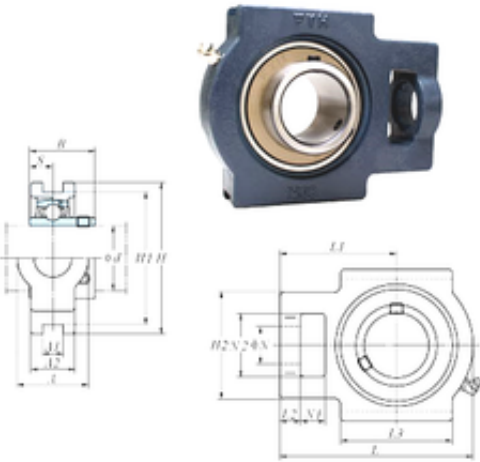




# Air Suspension Bearing Co., Ltd

## FYH UCTX12-39E bearing units

Bearing No. UCTX12-39E



UCTX12-39E Bearing 2D drawings and 3D CAD models

|                               |            |
|-------------------------------|------------|
| Bore Diameter                 | 61,9125 mm |
| d                             | 61,9125 mm |
| L2                            | 21 mm      |
| L3                            | 121 mm     |
| A                             | 70 mm      |
| A1                            | 27 mm      |
| B                             | 65,1 mm    |
| H                             | 167 mm     |
| H1                            | 150,8 mm   |
| H2                            | 111 mm     |
| L                             | 224 mm     |
| L1                            | 137 mm     |
| N                             | 41 mm      |
| N1                            | 32 mm      |
| S                             | 25,4 mm    |
| A2                            | 48 mm      |
| N2                            | 70 mm      |
| Weight                        | 7,4 Kg     |
| Basic dynamic load rating (C) | 57,2 kN    |
| Basic static load rating (C0) | 40,1 kN    |