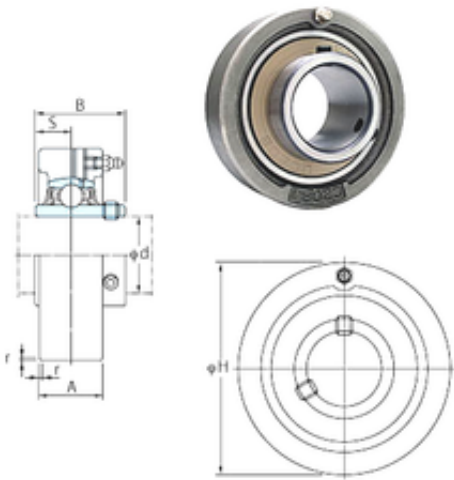




# Air Suspension Bearing Co., Ltd

## FYH UCC207-22 bearing units

Bearing No. UCC207-22



UCC207-22 Bearing 2D drawings and 3D CAD models

|                               |           |
|-------------------------------|-----------|
| Bore Diameter                 | 34,925 mm |
| Width                         | 42,9 mm   |
| d                             | 34,925 mm |
| r                             | 2 mm      |
| A                             | 28 mm     |
| B                             | 42,9 mm   |
| H                             | 90 mm     |
| S                             | 17,5 mm   |
| Weight                        | 0,93 Kg   |
| Basic dynamic load rating (C) | 25,7 kN   |
| Basic static load rating (C0) | 15,4 kN   |