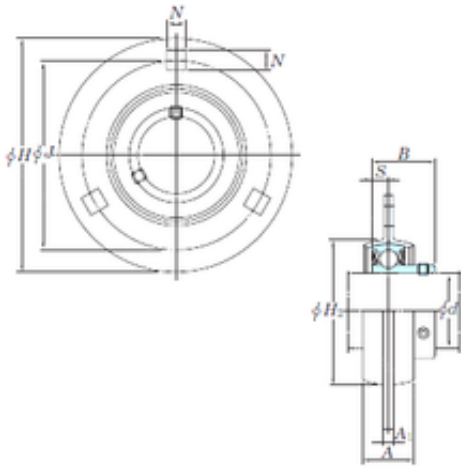




# Air Suspension Bearing Co., Ltd



SBPF206-19 Bearing 2D drawings and 3D CAD models

## KOYO SBPF206-19 bearing units

Bearing No. SBPF206-19

Bore Diameter	28,575 mm
Width	30 mm
d	28,575 mm
A	19 mm
A1	5,2 mm
B	30 mm
H	113 mm
H2	71 mm
J	90,5 mm
N	11 mm
S	8 mm
Bolt (G)	M10
Weight	0,62 Kg
Basic dynamic load rating (C)	19,5 kN
Basic static load rating (C0)	11,3 kN
Category	Bearings
Inventory	0.0
Manufacturer Name	KOYO
Minimum Buy Quantity	N/A
Weight / Kilogram	0
Product Group	M06110