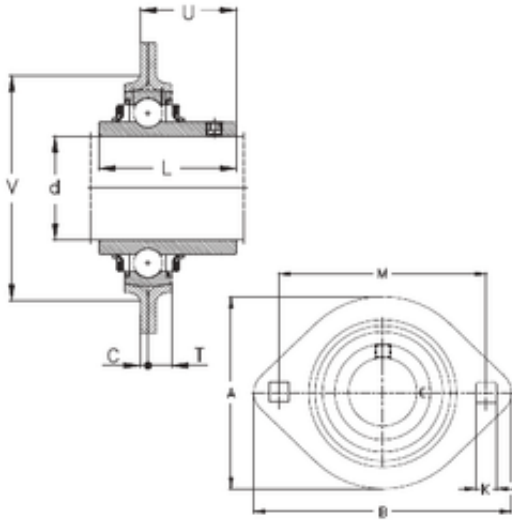




Air Suspension Bearing Co., Ltd



RRTY15 Bearing 2D drawings and 3D CAD models

NKE RRTY15 bearing units

Bearing No. RRTY15

Bore Diameter	15 mm
d	15 mm
V	48 mm
U	17,9 mm
A	58,7 mm
B	81 mm
C	2 mm
K	7,1 mm
L	27,4 mm
M	63,5 mm
T	7 mm