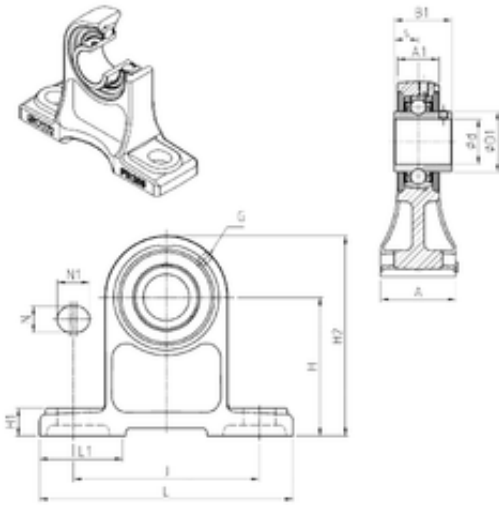




Air Suspension Bearing Co., Ltd



UCPH206 Bearing 2D drawings and 3D CAD models

SNR UCPH206 bearing units

Bearing No. UCPH206

Bore Diameter	30 mm
d	30 mm
s	15,9 mm
A	50 mm
A1	28 mm
B1	38,1 mm
D1	40,3 mm
H	90 mm
H1	18 mm
H2	130 mm
J	121 mm
L	165 mm
L1	56 mm
N	17 mm
N1	21 mm
Thread (G)	M6x1
Weight	1,7 Kg
Basic dynamic load rating (C)	19,5 kN