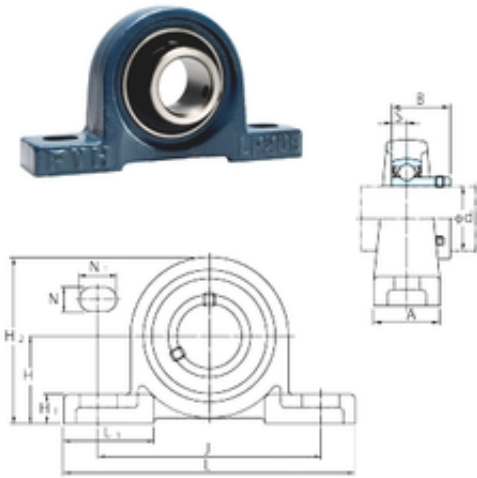




Air Suspension Bearing Co., Ltd

FYH BLP204-12 bearing units

Bearing No. BLP204-12



BLP204-12 Bearing 2D drawings and 3D CAD models

Bore Diameter	19,05 mm
Width	25 mm
d	19,05 mm
A	27 mm
B	25 mm
H	33,3 mm
H1	13 mm
H2	65 mm
J	97 mm
L	125 mm
L1	38 mm
N	11 mm
N1	16 mm
S	7 mm
Bolt (G)	M10
Weight	0,51 Kg
Basic dynamic load rating (C)	12,8 kN
Basic static load rating (C0)	6,65 kN