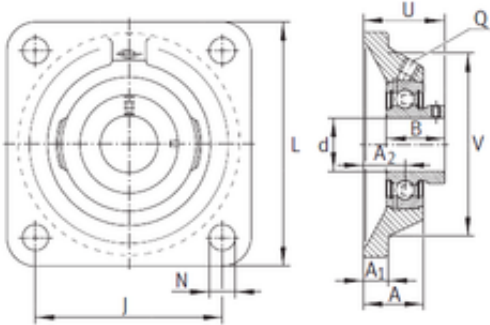




Air Suspension Bearing Co., Ltd

INA PCJY25-N bearing units



PCJY25-N Bearing 2D drawings and 3D CAD models

Bearing No. PCJY25-N

| | |
|-------------------------------|----------------------------|
| Bore Diameter | 25 mm |
| d | 25 mm |
| V | 74 mm |
| U | 38,5 mm |
| Thread (Q) | Rp1/8 |
| A | 29 mm |
| A1 | 11 mm |
| B | 27 mm |
| J | 70 mm |
| L | 95 mm |
| N | 11,5 mm |
| A2 | 19 mm |
| Weight | 0,72 Kg |
| Basic dynamic load rating (C) | 14 kN |
| Category | Flange Block Bearings |
| Inventory | 0.0 |
| Manufacturer Name | SCHAEFFLER GROUP |
| Minimum Buy Quantity | N/A |
| Weight / Kilogram | 0.9 |
| EAN | 4012802097016 |
| Product Group | M06110 |
| Number of Mounting Holes | 4 |
| Mounting Method | Set Screw |
| Housing Style | 4 Bolt Square Flange Block |
| Rolling Element | Ball Bearing |
| Housing Material | Cast Iron |



Air Suspension Bearing Co., Ltd

| | |
|---------------------------------------|---|
| Expansion / Non-expansion | Non-expansion |
| Mounting Bolts | 11.5 Millimeter |
| Relubricatable | Yes |
| Insert Part Number | GAY25NPPB |
| Seals | Double Lip Contact |
| Housing Configuration | 1 Piece Solid |
| Pilot Configuration | No Pilot |
| Inch - Metric | Metric |
| Long Description | 4 Bolt Square Flange Block; 25MM Bore; 99MM Bolt Circle; 70MM Bolt Spacing; 1 Piece Solid; Set Screw Mount; Cast Iron; Ball Bearing; 27MM Length Thru Bore; Relubricatable; Double Lip Contact Seals |
| Other Features | Single Row With Grub Screw |
| Category | Flange Block |
| UNSPSC | 31171501 |
| Harmonized Tariff Code | 8483.20.40.40 |
| Noun | Bearing |
| Keyword String | Flanged |
| Manufacturer URL | http://www.ina.com |
| Manufacturer Item Number | PCJY25 |
| Weight / LBS | 1.985 |
| Bolt Spacing | 2.756 Inch 70 Millimeter |
| Cartridge Pilot Diameter | 0 Inch 0 Millimeter |
| Nominal Bolt Circle Diameter Round | 3.9 Inch 99 Millimeter |
| Bore | 0.984 Inch 25 Millimeter |
| Length Thru Bore | 1.063 Inch 27 Millimeter |
| Cartridge Pilot Depth | 0 Inch 0 Millimeter |