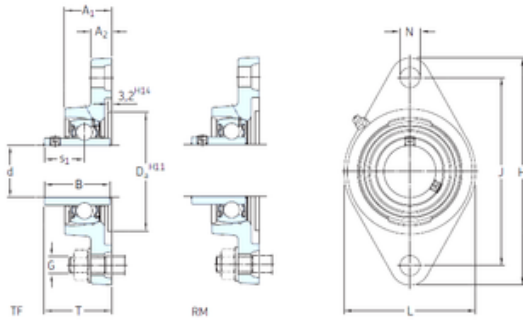




Air Suspension Bearing Co., Ltd



SKF FYT 3/4 RM bearing units

Bearing No. FYT 3/4 RM

Bore Diameter	19.05 mm
Width	25,5 mm
d	19.05 mm
s1	18,3 mm
A1	24,6 mm
B	25,5 mm
G	10 mm
H	111,9 mm
J	89,7 mm
L	60,5 mm
N	11,1 mm
T	32,6 mm
A2	11,1 mm
Weight	0,47 Kg
Basic dynamic load rating (C)	12,7 kN
Basic static load rating (C0)	6,55 kN
Fatigue load limit (Pu)	0,28
Category	Flange Block Bearings
Inventory	0.0
Manufacturer Name	SKF
Minimum Buy Quantity	N/A
Weight / Kilogram	0.41
EAN	7316571503653
Product Group	M06110
Number of Mounting Holes	2
Mounting Method	Set Screw

FYT 3/4 RM Bearing 2D drawings and 3D CAD models



Air Suspension Bearing Co., Ltd

Housing Style	2 Bolt Flange Block
Rolling Element	Ball Bearing
Housing Material	Cast Iron
Expansion / Non-expansion	Non-expansion
Mounting Bolts	3/8 Inch
Relubricatable	Yes
Insert Part Number	YAT 204-012
Seals	M Seal
Housing Configuration	1 Piece Solid
Pilot Configuration	No Pilot
Inch - Metric	Inch
Long Description	2 Bolt Flange Block; 3/4" Bore; 3-1/2" Bolt Circle; 3-17/32" Bolt Spacing; 1 Piece Solid; Set Screw Mount; Cast Iron; Ball Bearing; 1" Length Thru Bore; Relubricatable; M Seal Seal
Other Features	Single Row Standard Duty Narrow Inner Race Open End Y Bearing
Category	Flange Block
UNSPSC	31171501
Harmonized Tariff Code	8483.20.40.40
Noun	Bearing
Keyword String	Flanged
Manufacturer URL	http://www.skf.com
Manufacturer Item Number	FYT 3/4 RM
Weight / LBS	0.9
Cartridge Pilot Diameter	0 Inch 0 Millimeter
Nominal Bolt Circle Diameter Round	3.5 Inch 90 Millimeter
Length Thru Bore	1 Inch 25.4 Millimeter
Bore	0.75 Inch 19.05 Millimeter



Air Suspension Bearing Co., Ltd

Bolt Spacing	3.531 Inch 89.7 Millimeter
Cartridge Pilot Depth	0 Inch 0 Millimeter