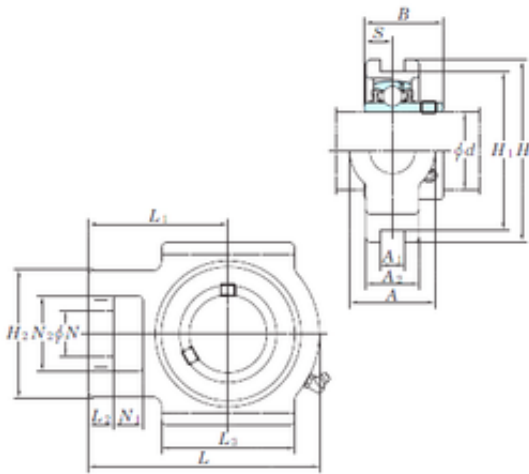




Air Suspension Bearing Co., Ltd



KOYO UCTX17-55E bearing units

Bearing No. UCTX17-55E

Bore Diameter	87,3125 mm
d	87,3125 mm
L2	28 mm
L3	157 mm
A	89 mm
A1	46 mm
B	96 mm
H	198 mm
H1	173 mm
H2	124 mm
L	260 mm
L1	162 mm
N	48 mm
N1	38 mm
S	39,7 mm
A2	68 mm
N2	73 mm
Weight	13,3 Kg
Basic dynamic load rating (C)	96,1 kN
Basic static load rating (C0)	71,5 kN

UCTX17-55E Bearing 2D drawings and 3D CAD models