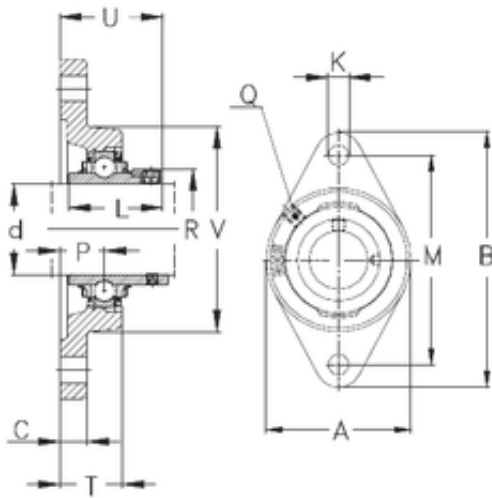




Air Suspension Bearing Co., Ltd

NKE RCJTY75 bearing units

Bearing No. RCJTY75



RCJTY75 Bearing 2D drawings and 3D CAD models

Bore Diameter	75 mm
d	75 mm
P	38 mm
V	160 mm
U	82,5 mm
K	21 mm
A	160 mm
B	258 mm
C	18 mm
L	77,8 mm
M	216 mm
T	57 mm
Thread (G)	R1/8 "