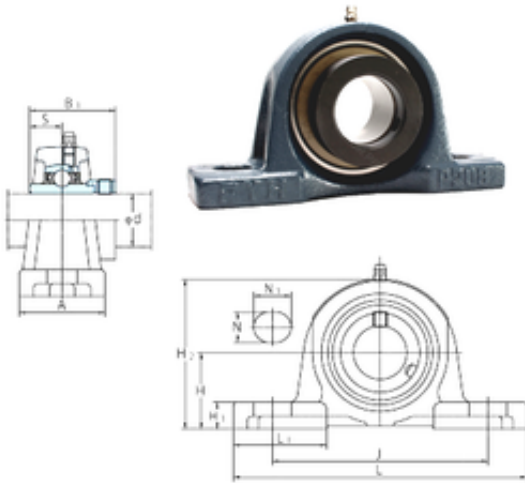




Air Suspension Bearing Co., Ltd

FYH NAP202 bearing units



Bearing No. NAP202

| | |
|-------------------------------|-------------------------|
| Bore Diameter | 15 mm |
| Width | 30,2 mm |
| d | 15 mm |
| A | 38 mm |
| B1 | 43,7 mm |
| H | 30,2 mm |
| H1 | 12 mm |
| H2 | 60 mm |
| J | 95 mm |
| L | 127 mm |
| L1 | 38 mm |
| N | 13 mm |
| N1 | 18 mm |
| S | 17,1 mm |
| Bolt (G) | M10 |
| Weight | 0,69 Kg |
| Basic dynamic load rating (C) | 12,8 kN |
| Category | Mounted Units & Inserts |
| Inventory | 0.0 |
| Manufacturer Name | FYH BEARING UNITS |
| Minimum Buy Quantity | N/A |
| Weight / Kilogram | 0 |
| Product Group | M06110 |

NAP202 Bearing 2D drawings and 3D CAD models