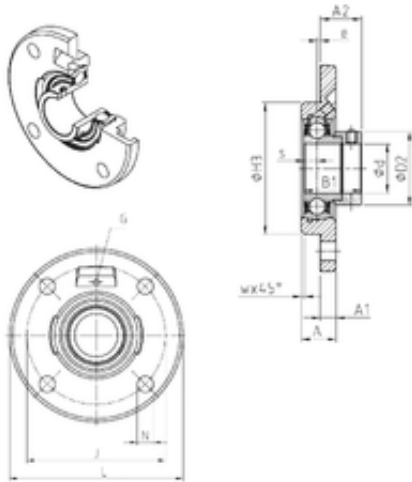




Air Suspension Bearing Co., Ltd



SNR ESFCE208 bearing units

Bearing No. ESFCE208

Bore Diameter	40 mm
d	40 mm
H3	100 mm
e	1 mm
s	11 mm
A	23 mm
A1	11,5 mm
B1	43,7 mm
D2	60,3 mm
J	120 mm
L	145 mm
N	11,5 mm
W	2 mm
Thread (G)	M6x1
A2	31,7 mm
Weight	1,7 Kg
Basic dynamic load rating (C)	29,6 kN

ESFCE208 Bearing 2D drawings and 3D CAD models