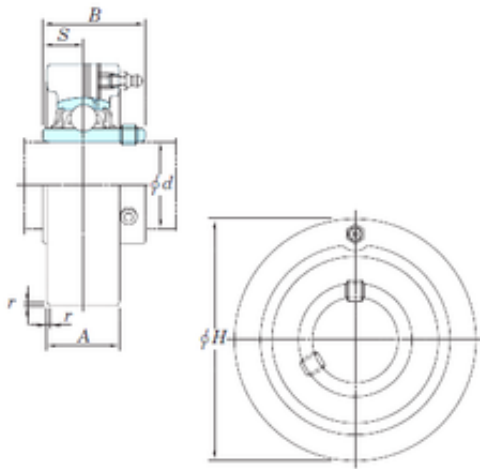




# Air Suspension Bearing Co., Ltd

## KOYO UCC202-10 bearing units

Bearing No. UCC202-10



Bore Diameter	15,875 mm
Width	31 mm
d	15,875 mm
r	1,5 mm
A	20 mm
B	31 mm
H	72 mm
S	12,7 mm
Weight	0,5 Kg
Basic dynamic load rating (C)	12,8 kN
Basic static load rating (C0)	6,65 kN

UCC202-10 Bearing 2D drawings and 3D CAD models