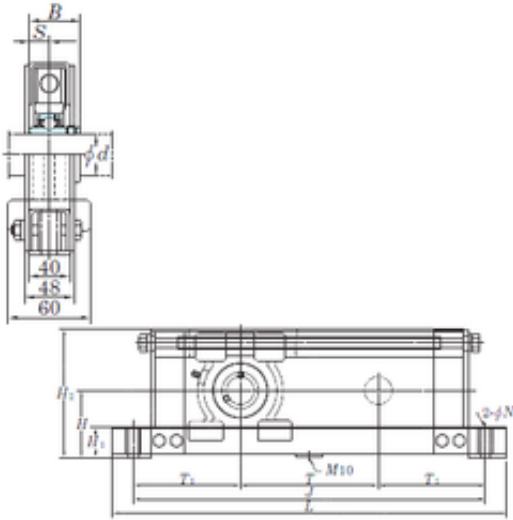




Air Suspension Bearing Co., Ltd



UCTL204-100 Bearing 2D drawings and 3D CAD models

KOYO UCTL204-100 bearing units

Bearing No. UCTL204-100

Bore Diameter	20 mm
Width	31 mm
d	20 mm
T1	135 mm
B	31 mm
H	77 mm
H1	44 mm
H2	146 mm
J	370 mm
L	430 mm
N	15 mm
S	12,7 mm
T	100 mm
Bolt (G)	M12
Weight	6 Kg
Basic dynamic load rating (C)	12,8 kN
Basic static load rating (C0)	6,65 kN