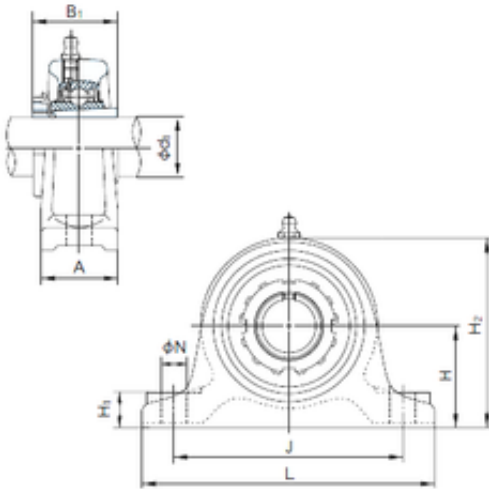




Air Suspension Bearing Co., Ltd

NACHI UKIP326+H2326 bearing units

Bearing No. UKIP326+H2326



UKIP326+H2326 Bearing 2D drawings and 3D CAD models

| | |
|---------------|--------|
| Bore Diameter | 115 mm |
| Width | 200 mm |
| d | 115 mm |
| A | 110 mm |
| B1 | 121 mm |
| H | 200 mm |
| H1 | 50 mm |
| H2 | 390 mm |
| J | 470 mm |
| L | 550 mm |
| N | 32 mm |
| Bolt (G) | M27 |