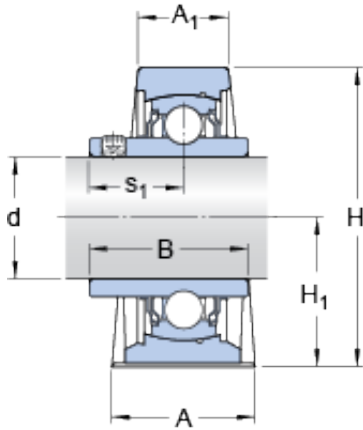




Air Suspension Bearing Co., Ltd



SY 1.3/8 TF/VA228 Bearing 2D drawings and 3D CAD models

SKF SY 1.3/8 TF/VA228 bearing units

Bearing No. SY 1.3/8 TF/VA228

Size	45x34.925x29 mm
Bore Diameter	45 mm
Outer Diameter	34,925 mm
Width	29 mm
d	34.925 mm
A	45 mm
A ₁	29 mm
H	93 mm
H ₁	47.6 mm
H ₂	19 mm
L	160 mm
J	126 mm
H	21 mm
N ₁	14 mm
B	42.9 mm
s ₁	25.4 mm
Basic dynamic load rating - C	25.5 kN
Basic static load rating - C ₀	15.3 kN
Limiting speed	160 r/min
Limiting temperature - T	350 ° C
Mass bearing unit	1.51 kg
Grub (set) screw - G ₂ - 5/16-24 UNF	5/1624 UNF
Hexagonal key size for grub screw - H	3.969 mm



Air Suspension Bearing Co., Ltd

Recommended tightening torque for grub screw	6.5 N · m
Category	Pillow Block Bearings
Inventory	2.0
Manufacturer Name	SKF
Minimum Buy Quantity	N/A
Weight / Kilogram	1.59
Product Group	M06110
Number of Mounting Holes	2
Mounting Method	Set Screw
Housing Style	2 Bolt Pillow Block
Rolling Element	Ball Bearing
Housing Material	Cast Iron
Expansion / Non-expansion	Non-expansion
Mounting Bolts	1/2 Inch
Relubricatable	Yes
Insert Part Number	YAR 207-106-2F/VA228
Seals	M Seal
Housing Configuration	1 Piece Solid
Inch - Metric	Inch
Other Features	Single Row Standard Duty Wide Inner Race High Temperature Bearing with Graphite Has Flinger Y Bearing
Long Description	2 Bolt Pillow Block; 1-3/8" Bore; 1-7/8" Base to Center Height; Set Screw Mount; Ball Bearing; 4-11/16" Minimum Bolt Spacing; 5-1/4" Bolt Spacing Maximum; Relubricatable; Cast Iron
Category	Pillow Block
UNSPSC	31171511
Harmonized Tariff Code	8483.20.40.40



Air Suspension Bearing Co., Ltd

Noun	Bearing
Keyword String	Pillow Block
Manufacturer URL	http://www.skf.com
Manufacturer Item Number	SY 1.3/8 TF/VA228
Weight / LBS	3.5
Bore	1.375 Inch 34.925 Millimeter
Base to Center Height	1.875 Inch 47.63 Millimeter
Length Thru Bore	1.688 Inch 42.87 Millimeter
Bolt Spacing Maximum	5.25 Inch 133.35Millimeter
Nominal Bolt Center to Center	5 Inch 127 Millimeter
Bolt Spacing Minimum	4.688 Inch 119.075Millimeter
Actual Bolt Center to Center	0 Inch 0Millimeter
mounting:	Two-Bolt Base
overall length:	3.7031 in
bore diameter:	1.3750 in
overall height:	3.3125 in
bore type:	Round
finish/coating:	Uncoated
housing material:	Cast Iron
lubrication type:	Lubrication Fitting
locking device:	Set Screw
series:	SY
expansion type:	Non-Expansion Bearing (Fixed)
standards met:	ISO
A ₁	29 mm
H ₁	47.6 mm
H ₂	19 mm



Air Suspension Bearing Co., Ltd

N	21 mm
N ₁	14 mm
s ₁	25.4 mm
Basic dynamic load rating C	25.5 kN
Basic static load rating C ₀	15.3 kN
Limiting temperature T max.	350 ° C
Grub (set) screw G ₂	5/16-24 UNF
Hexagonal key size for grub screw N	3.969 mm
Attachment bolts, recommended metric size G	12 mm