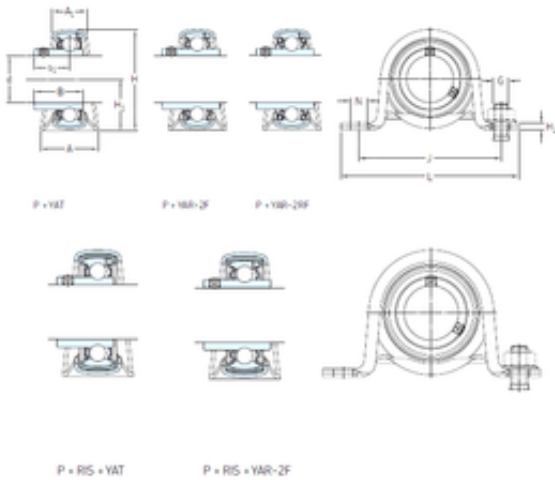




Air Suspension Bearing Co., Ltd



P 3/4 TR Bearing 2D drawings and 3D CAD models

SKF P 3/4 TR bearing units

Bearing No. P 3/4 TR

Bore Diameter	19.05 mm
d	19.05 mm
s1	18,3 mm
A	32 mm
A1	21 mm
B	31 mm
G	8 mm
H	50 mm
H1	25,2 mm
H2	3 mm
J	76 mm
L	99 mm
N	9,6 mm
Weight	0,23 Kg
Basic dynamic load rating (C)	12,7 kN
Basic static load rating (C0)	6,55 kN
Housing material	Pressed steel
A ₁	21 mm
B ₄	4.5 mm
H ₁	25.3 mm
H ₂	3 mm
s ₁	18.3 mm
Basic dynamic load rating C	12.7 kN
Basic static load rating C ₀	6.55 kN
Fatigue load limit P _u	0.28 kN
Permissible radial housing	1.7 kN



Air Suspension Bearing Co., Ltd

load max.	
Limiting speed	5000 r/min
Mass bearing unit	0.25 kg
Thread grub screw G ₂	1/4-28 UNF
Hexagonal key size for grub screw N	3.175 mm
Recommended tightening torque for grub screw	4 N · m
Recommended diameter for attachment bolts, mm G	8 mm
Recommended diameter for attachment bolts, inch G	0.3125 in