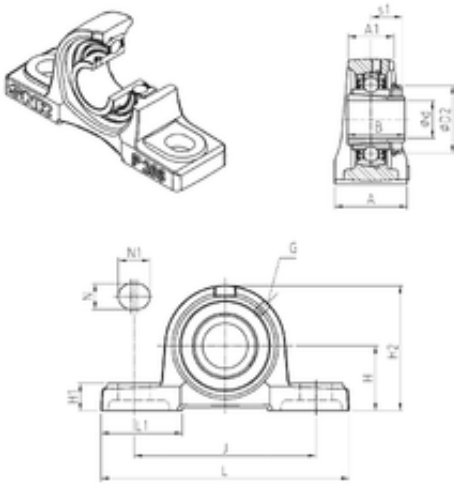




Air Suspension Bearing Co., Ltd



SNR UKP317H bearing units

Bearing No. UKP317H

Bore Diameter	75 mm
d	75 mm
s1	48 mm
A	110 mm
A1	69 mm
B	82 mm
D2	110 mm
H	112 mm
H1	40 mm
H2	220 mm
J	320 mm
L	420 mm
L1	120 mm
N	33 mm
N1	45 mm
Thread (G)	M10x1
Weight	21,4 Kg
Basic dynamic load rating (C)	132,6 kN

UKP317H Bearing 2D drawings and 3D CAD models