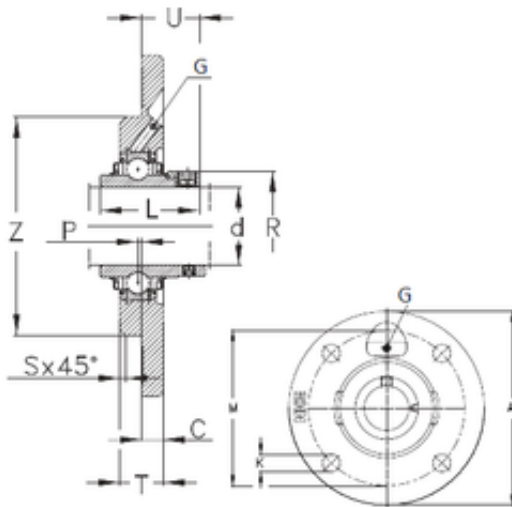




Air Suspension Bearing Co., Ltd



NKE RMEY30-N bearing units

Bearing No. RMEY30-N

Bore Diameter	30 mm
d	30 mm
P	2 mm
U	20,2 mm
K	11,5 mm
Z	80 mm
A	125 mm
C	9,5 mm
L	38,1 mm
M	100 mm
S	2 mm
T	20,5 mm
Thread (G)	M6

RMEY30-N Bearing 2D drawings and 3D CAD models