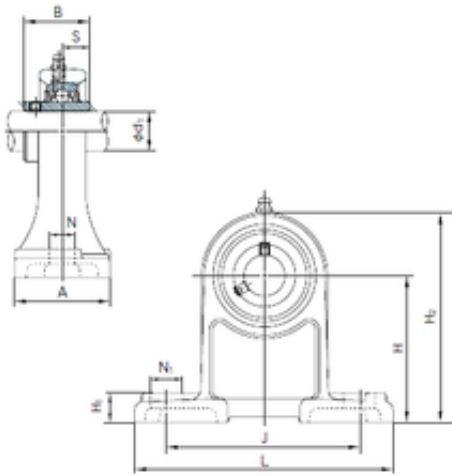




# Air Suspension Bearing Co., Ltd

## NACHI UCPH205 bearing units

Bearing No. UCPH205



UCPH205 Bearing 2D drawings and 3D CAD models

Bore Diameter	25 mm
Width	34 mm
d	25 mm
A	50 mm
B	34 mm
H	80 mm
H1	16 mm
H2	114 mm
J	105 mm
L	140 mm
N	13 mm
N1	19 mm
S	14.3 mm
Bolt (G)	M10