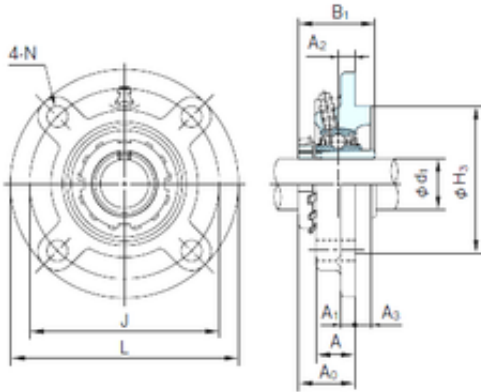




Air Suspension Bearing Co., Ltd

NACHI UKFC211+H2311 bearing units



Bearing No. UKFC211+H2311

Bore Diameter	50 mm
d1	50 mm
H3	125 mm
A0	41.5 mm
A	31 mm
A1	15 mm
B1	59 mm
J	150 mm
L	185 mm
N	19 mm
Bolt (G)	M16
A2	13 mm
A3	12 mm

UKFC211+H2311 Bearing 2D drawings and 3D CAD models