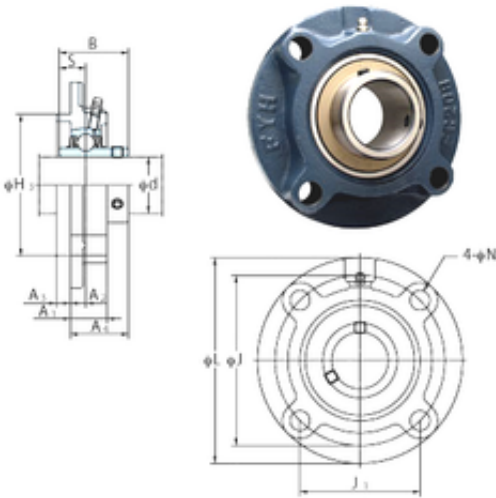




# Air Suspension Bearing Co., Ltd

## FYH UCFCX07-22E bearing units

Bearing No. UCFCX07-22E



UCFCX07-22E Bearing 2D drawings and 3D CAD models

Bore Diameter	34,925 mm
d	34,925 mm
H3	92,075 mm
A4	39,2 mm
A1	26 mm
B	49,2 mm
J	111 mm
L	133 mm
N	12 mm
S	19 mm
Bolt (G)	M10
A2	9 mm
A3	11 mm
J1	78,5 mm
Weight	1,9 Kg
Basic dynamic load rating (C)	29,1 kN
Basic static load rating (C0)	17,8 kN