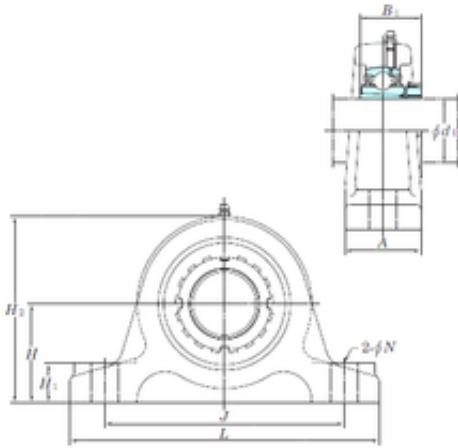




# Air Suspension Bearing Co., Ltd

## KOYO UKIP212 bearing units

Bearing No. UKIP212



UKIP212 Bearing 2D drawings and 3D CAD models

Bore Diameter	55 mm
Width	80 mm
d	55 mm
A	70 mm
B1	47 mm
H	80 mm
H1	30 mm
H2	155 mm
J	200 mm
L	260 mm
N	22 mm
Bolt (G)	M20
Weight	7,1 Kg
Basic dynamic load rating (C)	52,4 kN
Basic static load rating (C0)	36,2 kN