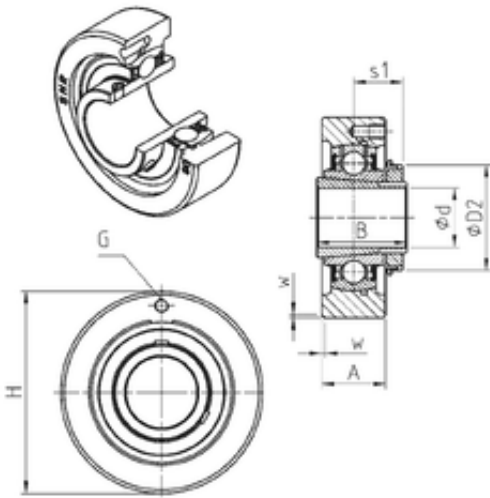




# Air Suspension Bearing Co., Ltd

## SNR UKC307H bearing units

Bearing No. UKC307H



UKC307H Bearing 2D drawings and 3D CAD models

Bore Diameter	30 mm
Width	43 mm
d	30 mm
s1	25,5 mm
A	32 mm
B	43 mm
D2	52 mm
H	110 mm
W	3 mm
Thread (G)	M6x1
Weight	1,9 Kg
Basic dynamic load rating (C)	33,5 kN
A3	3 mm
A5	25.5 mm
B1	43 mm
d1	52 mm
G	M6x1
C	33.5 kN
C0	19.2 kN
T min.	-20 ° C
T max.	100 ° C
Adapter sleeve reference	H2307
Designation of housing	C307-
Designation of bearing	UK307G2H