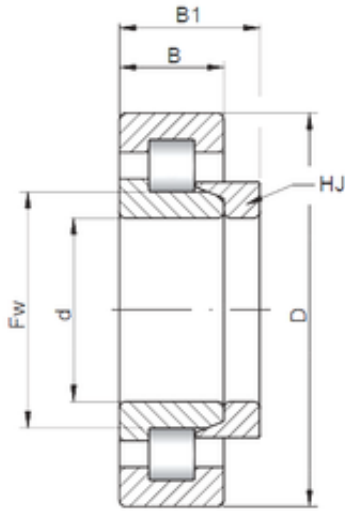




Air Suspension Bearing Co., Ltd



30 mm x 90 mm x 23 mm ISO NH406
cylindrical roller bearings

Bearing No. NH406

Dimensione	30x90x23 mm
Marchio	ISO
Diametro del foro	30 mm
Diametro esterno	90 mm
Larghezza	23 mm
d	30 mm
D	90 mm
B	23 mm
C	23 mm
B1	7 mm
B2	11,5 mm

NH406 Bearing 2D drawings and 3D CAD models