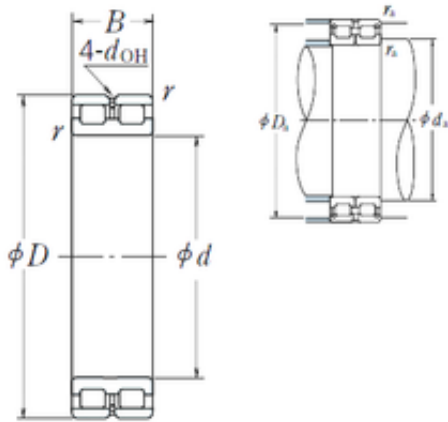




Air Suspension Bearing Co., Ltd

50 mm x 72 mm x 22 mm NSK RSF-4910E4 cylindrical roller bearings



Bearing No. RSF-4910E4

RSF-4910E4 Bearing 2D drawings and 3D CAD models

Size	50x72x22 mm
Bore Diameter	50 mm
Outer Diameter	72 mm
Width	22 mm
d	50 mm
D	72 mm
B	22 mm
C	22 mm
r min.	0,6 mm
da min.	54 mm
Da max.	68 mm
ra max.	0,6 mm
Weight	0,3 Kg
Basic dynamic load rating (C)	48 kN
Basic static load rating (C0)	75,5 kN
(Grease) Lubrication Speed	2000 r/min
hidYobi	RSF-4910E4
LangID	1
D_	72
B_	22
hidTable	ecat_NSCLDRS
Oil rpm	2000
mass	0.3
GRS rpm	4000
ra	0



Air Suspension Bearing Co., Ltd

da_min	54
C0	75.5
DE_	67
Prod_Type3	CRB_FRFS_OT_FREE
DA_	5.5
Z_	35
yobi	RSF-4910E4
da_max	68
SDM_	61.5
r	0.6
KBRG	4210
disp	1.5
DI_	56
doh	2.5