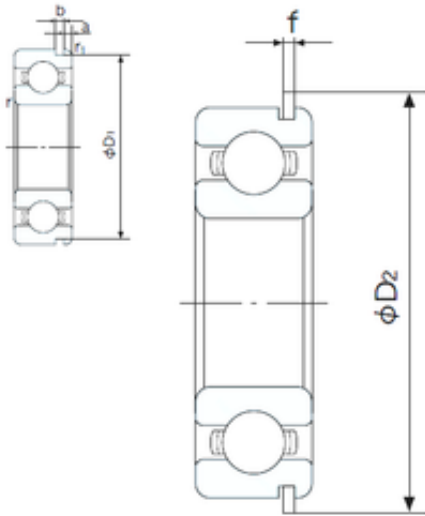




Air Suspension Bearing Co., Ltd



80 mm x 170 mm x 39 mm NACHI 6316NR
deep groove ball bearings

Bearing No. 6316NR

6316NR Bearing 2D drawings and 3D CAD models

Size	80x170x39 mm
Bore Diameter	80 mm
Outer Diameter	170 mm
Width	39 mm
d	80 mm
D	170 mm
B	39 mm
C	39 mm
a	5.69 mm
b	3.5 mm
f	3.1 mm
r min.	2.1 mm
r1 min.	0.5 mm
D1	163.65 mm
D2	182.9 mm
Weight	3.59 Kg
Basic dynamic load rating (C)	123 kN
Basic static load rating (C0)	86,5 kN
(Grease) Lubrication Speed	3800 r/min
Category	Ball Bearings
Inventory	0.0
Manufacturer Name	NACHI
Minimum Buy Quantity	N/A
UNSPSC	31171504
Weight / Kilogram	3.588



Air Suspension Bearing Co., Ltd

Product Group	B00308
Bore Type	Cylindrical Bore
Configuration	Single Row
Enclosure	Snap Ring Groove with Snap Ring
Bore Size	80 mm
Outside Diameter	170 mm
Width	39 mm
Fillet Radius/Chamfer	2.1 mm
r1	0.5 mm
Snap Ring Width	3.1 mm
Snap Ring Outside Diameter	182.9 mm
D1 (max)	163.7 mm
a (max)	5.7 mm
b (min)	3.5 mm
Dynamic Load Rating	123,000 N
Static Load Rating	86,500 N
Limiting Speed - Grease	4,000 rpm
Limiting Speed - Oil	4,800 rpm
Factor fo	13.2
Radial Clearance	0.010 to 0.030 mm
da (min)	92 mm
Da (max)	158 mm
Dx (min)	185 mm
ra (max)	2 mm
Cy (max)	8.4 mm