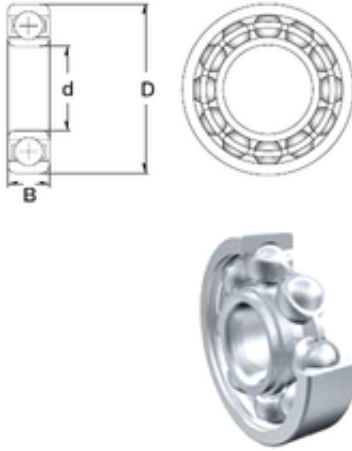




# Air Suspension Bearing Co., Ltd

9 mm x 17 mm x 4 mm ZEN S689 deep groove ball bearings



Bearing No. S689

Size	9x17x4 mm
Bore Diameter	9 mm
Outer Diameter	17 mm
Width	4 mm
d	9 mm
D	17 mm
B	4 mm
C	4 mm
Basic dynamic load rating (C)	1,327 kN
Basic static load rating (C0)	0,668 kN
(Grease) Lubrication Speed	36000 r/min

S689 Bearing 2D drawings and 3D CAD models