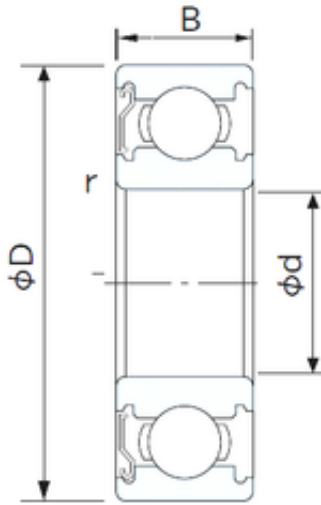




Air Suspension Bearing Co., Ltd



105 mm x 160 mm x 26 mm CYSD 6021-Z deep groove ball bearings

Bearing No. 6021-Z

Size	105x160x26 mm
Bore Diameter	105 mm
Outer Diameter	160 mm
Width	26 mm
d	105 mm
D	160 mm
B	26 mm
C	26 mm
r min.	2 mm
Weight	1,58 Kg
Basic dynamic load rating (C)	72,5 kN
Basic static load rating (C0)	66 kN
(Grease) Lubrication Speed	4000 r/min

6021-Z Bearing 2D drawings and 3D CAD models