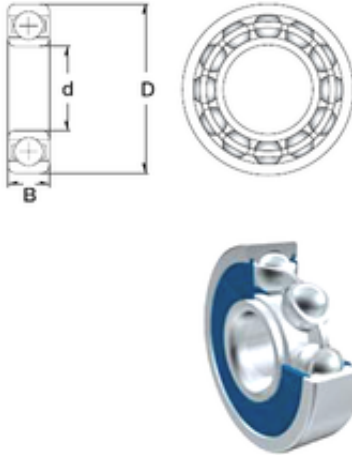




Air Suspension Bearing Co., Ltd

17 mm x 30 mm x 7 mm ZEN SF61903-2RS
deep groove ball bearings



Bearing No. SF61903-2RS

Size	17x30x7 mm
Bore Diameter	17 mm
Outer Diameter	30 mm
Width	7 mm
d	17 mm
D	30 mm
B	7 mm
C	7 mm
Basic dynamic load rating (C)	4,588 kN
Basic static load rating (C0)	2,565 kN
(Grease) Lubrication Speed	23000 r/min

SF61903-2RS Bearing 2D drawings and 3D CAD models