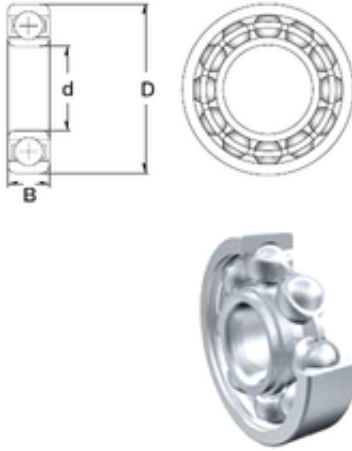




Air Suspension Bearing Co., Ltd

4,763 mm x 15,875 mm x 4,978 mm ZEN R3A
deep groove ball bearings



Bearing No. R3A

Size	4.763x15.875x4.978 mm
Bore Diameter	4,763 mm
Outer Diameter	15,875 mm
Width	4,978 mm
d	4,763 mm
D	15,875 mm
B	4,978 mm
C	4,978 mm
Basic dynamic load rating (C)	1,48 kN
Basic static load rating (C0)	0,621 kN
(Grease) Lubrication Speed	38000 r/min

R3A Bearing 2D drawings and 3D CAD models