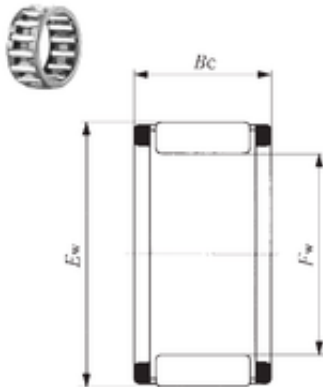




## Air Suspension Bearing Co., Ltd

### IKO KT 223215 EG needle roller bearings



Bearing No. KT 223215 EG

Marchio	IKO
Diametro del foro	22 mm
Diametro esterno	32 mm
Fw	22 mm
Ew	32 mm
Bc	15 mm
Peso	0,03 Kg
Carico dinamico di base (C)	21,3 kN

KT 223215 EG Bearing 2D drawings and 3D CAD models