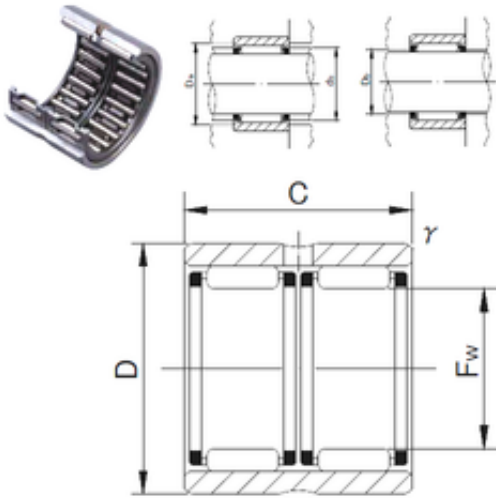




Air Suspension Bearing Co., Ltd



RNAFW81620 Bearing 2D drawings and 3D CAD models

JNS RNAFW81620 needle roller bearings

Bearing No. RNAFW81620

Size	8x16x20 mm
Bore Diameter	8 mm
Outer Diameter	16 mm
Width	20 mm
d	8 mm
D	16 mm
C	20 mm
r min.	0,3 mm
Da max.	14 mm
db	10,8 mm
Db	8,4 mm
Weight	0,02 Kg
Basic dynamic load rating (C)	6,2 kN
Basic static load rating (C0)	7,2 kN