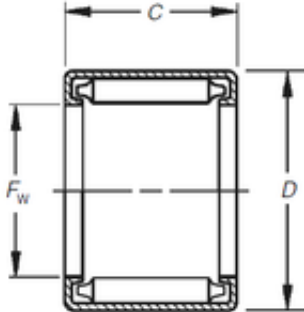




## Air Suspension Bearing Co., Ltd

### Timken B-146 needle roller bearings



Bearing No. B-146

Size	22.225x28.575x9.53 mm
Bore Diameter	22,225 mm
Outer Diameter	28,575 mm
Width	9,53 mm
Fw	22,225 mm
D	28,575 mm
C	9,53 mm
Weight	0,014 Kg
Basic dynamic load rating (C)	10,5 kN
Basic static load rating (C0)	15,84 kN
(Grease) Lubrication Speed	3100 r/min

B-146 Bearing 2D drawings and 3D CAD models