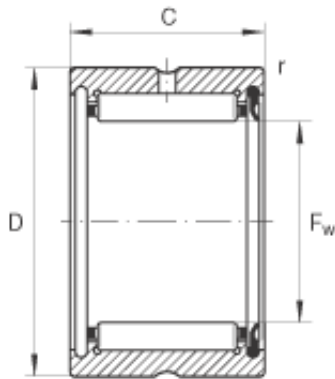




Air Suspension Bearing Co., Ltd

INA RNA4905-RSR needle roller bearings



Bearing No. RNA4905-RSR

RNA4905-RSR Bearing 2D drawings and 3D CAD models

Size	30x42x17 mm
Bore Diameter	30 mm
Outer Diameter	42 mm
Width	17 mm
F_w	30 mm
D	42 mm
C	17 mm
r_{min}	0,3 mm
m	60 g / Weight
C_r	21800 N / Dynamic load rating (radial)
C_{Or}	24200 N / Static load rating (radial)
C_{ur}	4550 N / Fatigue limit load, radial
$n_{G\ Fett}$	6500 1/min / Limiting speed for grease lubrication
Category	Needle Non Thrust Roller Bearings
Inventory	0.0
Manufacturer Name	SCHAEFFLER GROUP
Minimum Buy Quantity	N/A
Weight / Kilogram	0.06
Product Group	B04144
Rolling Element	Needle Roller Bearing
Component	Roller Assembly with Outer Ring - No Inner Ring
Enclosure	1 Seal



Air Suspension Bearing Co., Ltd

Self Aligning	No
Retainer	Yes
Number of Rows of Rollers	Single Row
Separable	No
Closed End	No
Inch - Metric	Metric
Relubricatable	Yes
Thrust Bearing	No
Long Description	30MM Bore; 42MM Outside Diameter; 17MM Width; Needle Roller Bearing; Roller Assembly with Outer Ring - No Inner Ring; 1 Seal Enclosure; No Self Aligning; Retainer; Single Row of Rollers; No Separable;
Other Features	2 Rib Outer Ring Precision Bearing Steel Cage Ground Raceway with Rib Oil Hole
Category	Needle Non Thrust Roller Bearing
UNSPSC	31171512
Harmonized Tariff Code	8482.40.00.00
Noun	Bearing
Keyword String	Needle
Manufacturer URL	http://www.ina.com
Manufacturer Item Number	RNA4905RS
Weight / LBS	0.132
Width	0.669 Inch 17 Millimeter
Bore	1.181 Inch 30 Millimeter
Outside Diameter	1.654 Inch 42 Millimeter