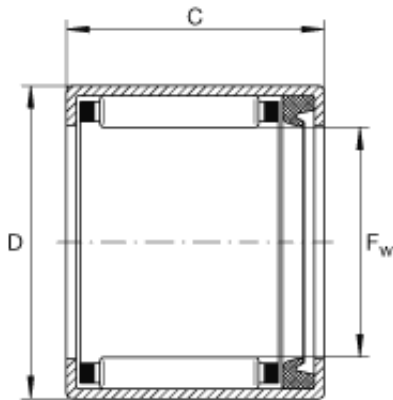




Air Suspension Bearing Co., Ltd



INA SCE45-P needle roller bearings

Bearing No. SCE45-P

Size	6.35x11.112x7.938 mm
Bore Diameter	6,35 mm
Outer Diameter	11,112 mm
Width	7,938 mm
F _w	1/4 inch
F _w	6,35 mm
D	0,438 inch
D	11,112 mm
C	0,313 inch
C	7,938 mm
m	0,007 lbs / Weight
m	3 g / Weight
C _r	360 lbf / Dynamic load rating (radial)
C _r	1600 N / Dynamic load rating (radial)
C _{0r}	260 lbf / Static load rating (radial)
C _{0r}	1170 N / Static load rating (radial)
n _G	35000 1/min / Limiting speed
n _B	26500 1/min / Reference speed
Category	Bearings
Inventory	0.0
Manufacturer Name	SCHAEFFLER GROUP
Minimum Buy Quantity	N/A

SCE45-P Bearing 2D drawings and 3D CAD models



Air Suspension Bearing Co., Ltd

Weight / Kilogram	0.007
Product Group	B04144