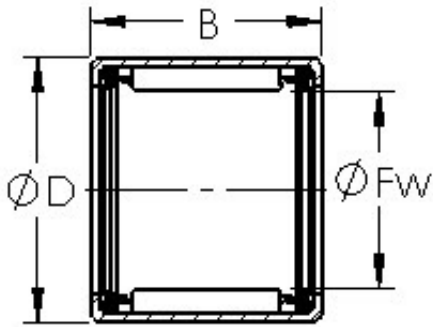




Air Suspension Bearing Co., Ltd



AST HK3516-2RS needle roller bearings

Bearing No. HK3516-2RS

Size	35x42x16 mm
Bore Diameter	35 mm
Outer Diameter	42 mm
Width	16 mm
Bearing Type	Cage Retained Rollers, Two Seals
Outer Dia (D)	42.0000
Width (B)	16.0000
Dynamic Load Rating (Cr)	13,100
Static Load Rating (Cor)	21,300
Max Speed (Grease) (X1000 RPM)	5,000
Shaft (Fw)	35.0000
Weight (g)	32.00
Material - Drawn cup: Hardened carbon steel alloy, Rollers	52100 Chrome steel or equivalent

HK3516-2RS Bearing 2D drawings and 3D CAD models