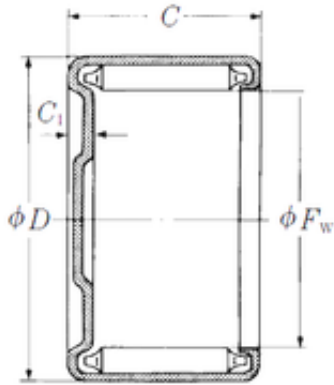




Air Suspension Bearing Co., Ltd

NSK MH-11101 needle roller bearings



Bearing No. MH-11101

Size	17.462x23.812x15.88 mm
Bore Diameter	17,462 mm
Outer Diameter	23,812 mm
Width	15,88 mm
Fw	17,462 mm
D	23,812 mm
C	15,88 mm
C2	2,3 mm
Weight	0,023 Kg
Basic dynamic load rating (C)	16,6 kN

MH-11101 Bearing 2D drawings and 3D CAD models