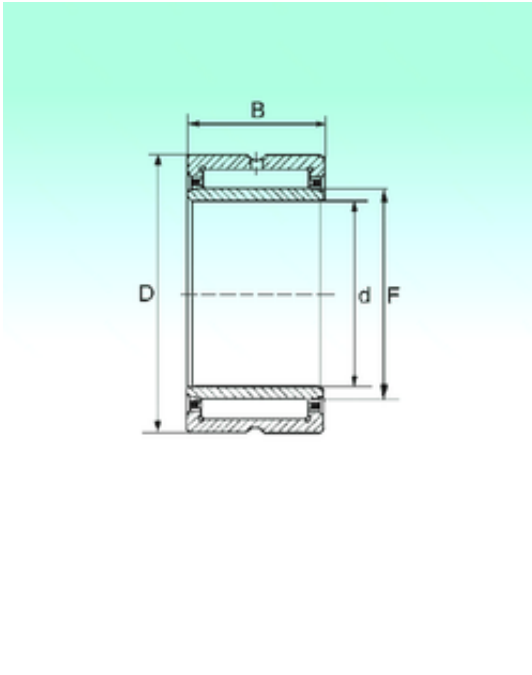




Air Suspension Bearing Co., Ltd



NKI 90/36 Bearing 2D drawings and 3D CAD models

NBS NKI 90/36 needle roller bearings

Bearing No. NKI 90/36

Size	90x120x36 mm
Bore Diameter	90 mm
Outer Diameter	120 mm
Width	36 mm
d	90 mm
Fw	100 mm
D	120 mm
C	36 mm
Weight	1,09 Kg
Basic dynamic load rating (C)	109 kN
Basic static load rating (C0)	235,5 kN