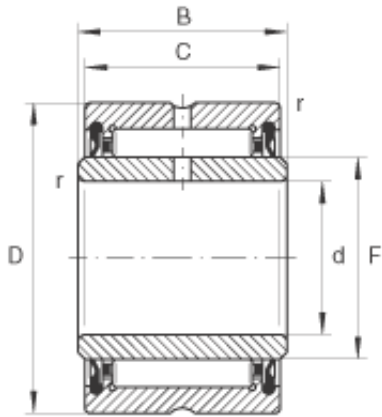




Air Suspension Bearing Co., Ltd



10 mm x 22 mm x 14 mm INA NA4900-2RSR
needle roller bearings

Bearing No. NA4900-2RSR

NA4900-2RSR Bearing 2D drawings and 3D CAD models

| | |
|----------------------|---|
| Size | 10x22x14 mm |
| Bore Diameter | 10 mm |
| Outer Diameter | 22 mm |
| Width | 14 mm |
| d | 10 mm |
| D | 22 mm |
| B | 14 mm |
| C | 13 mm |
| F | 14 mm |
| r_{\min} | 0,3 mm |
| m | 24,5 g / Weight |
| C_r | 7700 N / Dynamic load rating (radial) |
| C_{0r} | 6900 N / Static load rating (radial) |
| C_{ur} | 1360 N / Fatigue limit load, radial |
| $n_{G\text{Fett}}$ | 13000 1/min / Limiting speed for grease lubrication |
| Category | Needle Non Thrust Roller Bearings |
| Inventory | 0.0 |
| Manufacturer Name | SCHAEFFLER GROUP |
| Minimum Buy Quantity | N/A |
| Weight / Kilogram | 0.03 |
| Product Group | B04270 |
| Rolling Element | Needle Roller Bearing |



Air Suspension Bearing Co., Ltd

| | |
|---------------------------|--|
| Component | Complete with Outer and Inner Ring |
| Enclosure | 2 Seals |
| Self Aligning | No |
| Retainer | Yes |
| Number of Rows of Rollers | Single Row |
| Separable | Inner Ring - Both Sides |
| Closed End | No |
| Inch - Metric | Metric |
| Relubricatable | Yes |
| Thrust Bearing | No |
| Long Description | 10MM Bore; 22MM Outside Diameter; 14MM Width; Needle Roller Bearing; Complete with Outer and Inner Ring; 2 Seals Enclosure; No Self Aligning; Retainer; Single Row of Rollers; Inner Ring - Both Sides S |
| Other Features | Plain Inner Ring 2 Rib Outer Ring Precision Bearing Steel Cage Ground Raceway with Rib Oil Hole |
| Category | Needle Non Thrust Roller Bearing |
| UNSPSC | 31171512 |
| Harmonized Tariff Code | 8482.40.00.00 |
| Noun | Bearing |
| Keyword String | Needle |
| Manufacturer URL | http://www.ina.com |
| Manufacturer Item Number | NA49002RS |
| Weight / LBS | 0.054 |
| Outside Diameter | 0.866 Inch 22 Millimeter |
| Bore | 0.394 Inch 10 Millimeter |
| | |



Air Suspension Bearing Co., Ltd

| | |
|-------|----------------------------|
| Width | 0.551 Inch 14 Millimeter |
|-------|----------------------------|