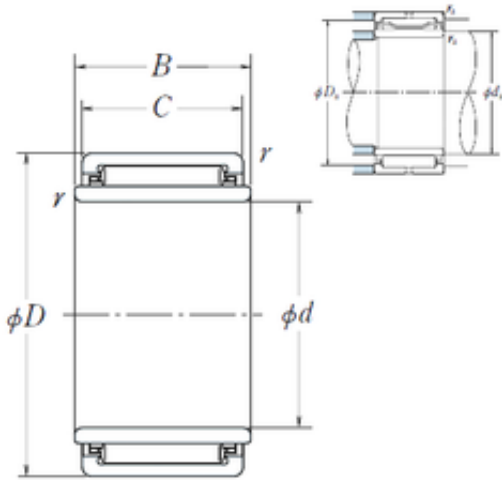




Air Suspension Bearing Co., Ltd

25 mm x 37 mm x 25,2 mm NSK LM3025 needle roller bearings

Bearing No. LM3025



LM3025 Bearing 2D drawings and 3D CAD models

Size	25x37x25.2 mm
Bore Diameter	25 mm
Outer Diameter	37 mm
Width	25,2 mm
d	25 mm
Fw	30 mm
D	37 mm
B	25,2 mm
C	25 mm
r min.	0,5 mm
da min.	29 mm
Da max.	33 mm
ra max.	0,5 mm
Weight	0,092 Kg
Basic dynamic load rating (C)	24,5 kN
Basic static load rating (C0)	44 kN
(Grease) Lubrication Speed	7100 r/min
hidYobi	LM3025
LangID	1
D_	37
B_	25.2
hidTable	ecat_NSMRNR
GRS rpm	7100
ra	0.5
da_min	29



Air Suspension Bearing Co., Ltd

d2	25
C0	44
C1_	25
DE_	35
SLR	19.8
Prod_Type3	NRB_S_LM
DA_	2.5
Z_	23
SI	30
yobi	LM3025
da_max	33
OIL rpm	12000
SDM_	32.5
r	0.5
KBRG	8352
mass2	0.092
B1	25.2