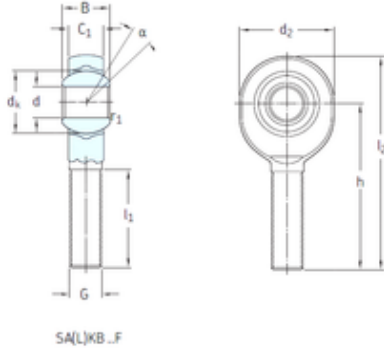




# Air Suspension Bearing Co., Ltd

## SKF SAKB20F plain bearings



Bearing No. SAKB20F

Bore Diameter	20 mm
d	20 mm
d2 max.	51 mm
dk	34,9 mm
h	78 mm
l1 min.	45 mm
l2 max.	106 mm
r1 min.	0,3 mm
B	25 mm
C1 max	18 mm
Thread (G)	M20x1,5 Tolerance 6g
Angle	14 °
Weight	0,37 Kg
Basic dynamic load rating (C)	31 kN

SAKB20F Bearing 2D drawings and 3D CAD models